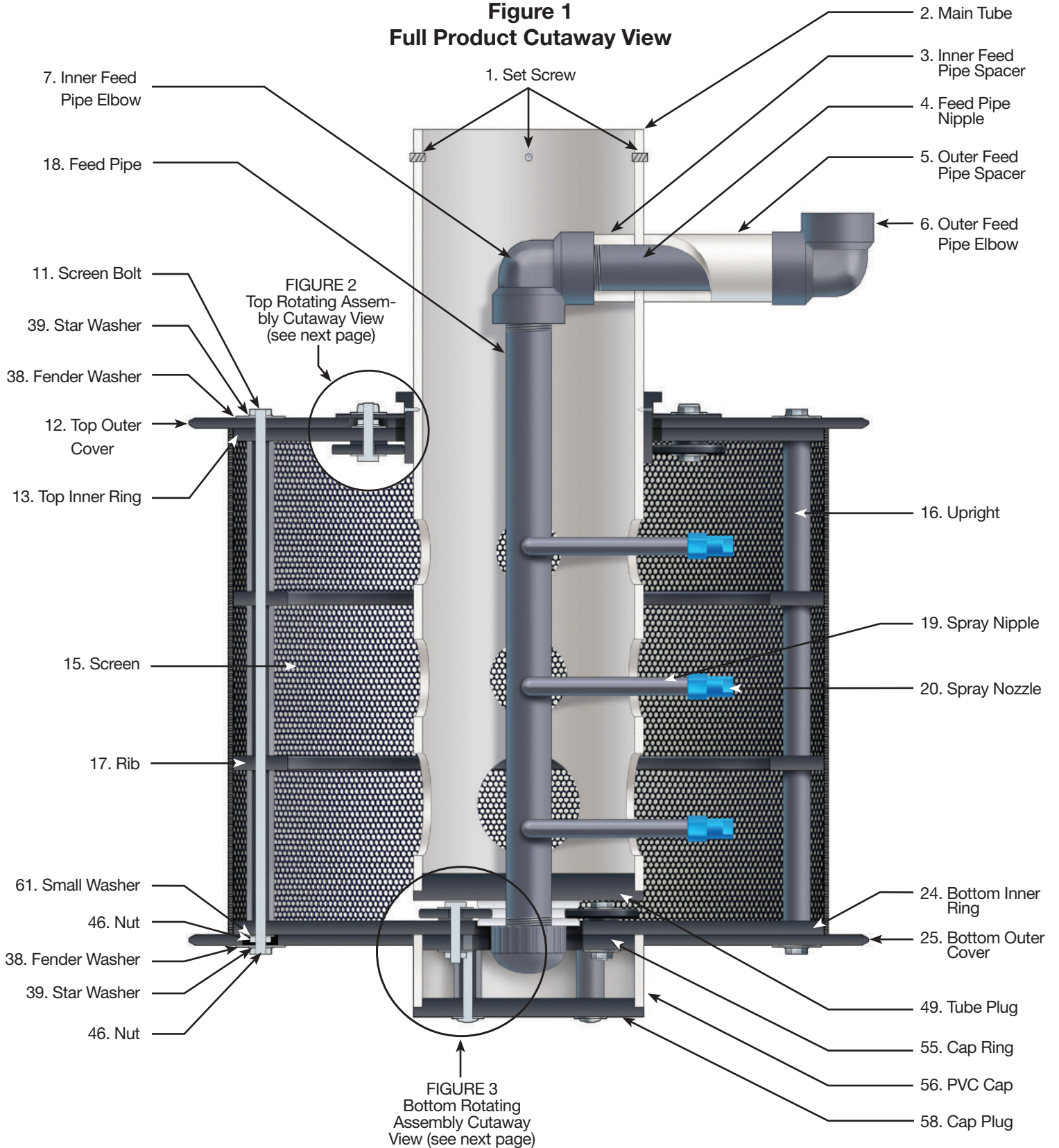


SURE-FLO®

Self-Cleaning Strainers

Parts Breakdown

Figure 1
Full Product Cutaway View



Parts Breakdown

Figure 2
Top Rotating Assembly Cutaway View

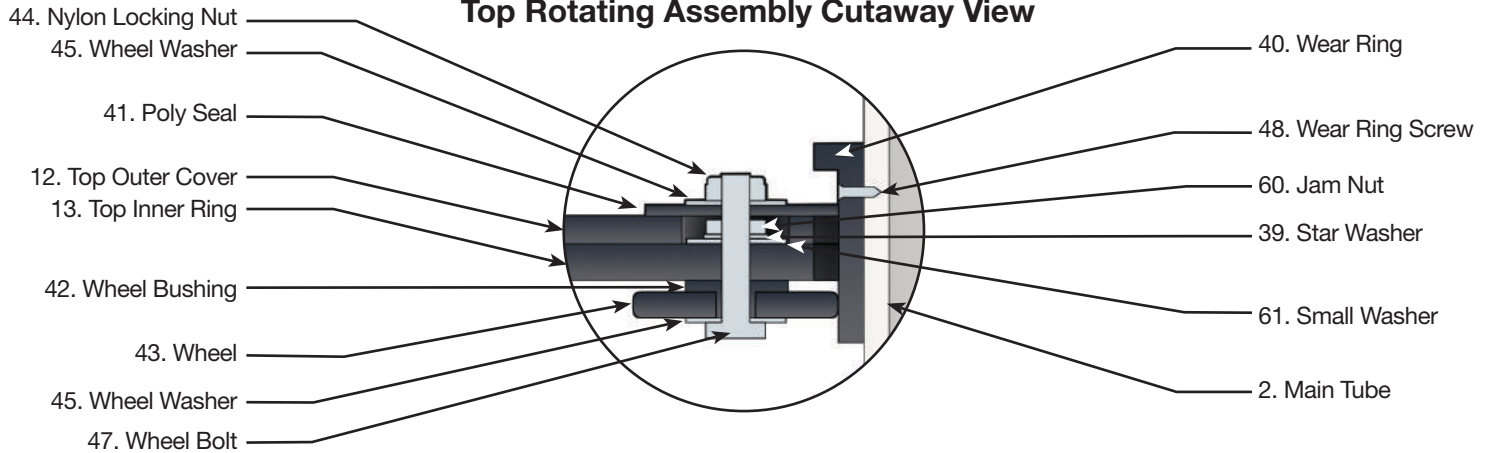
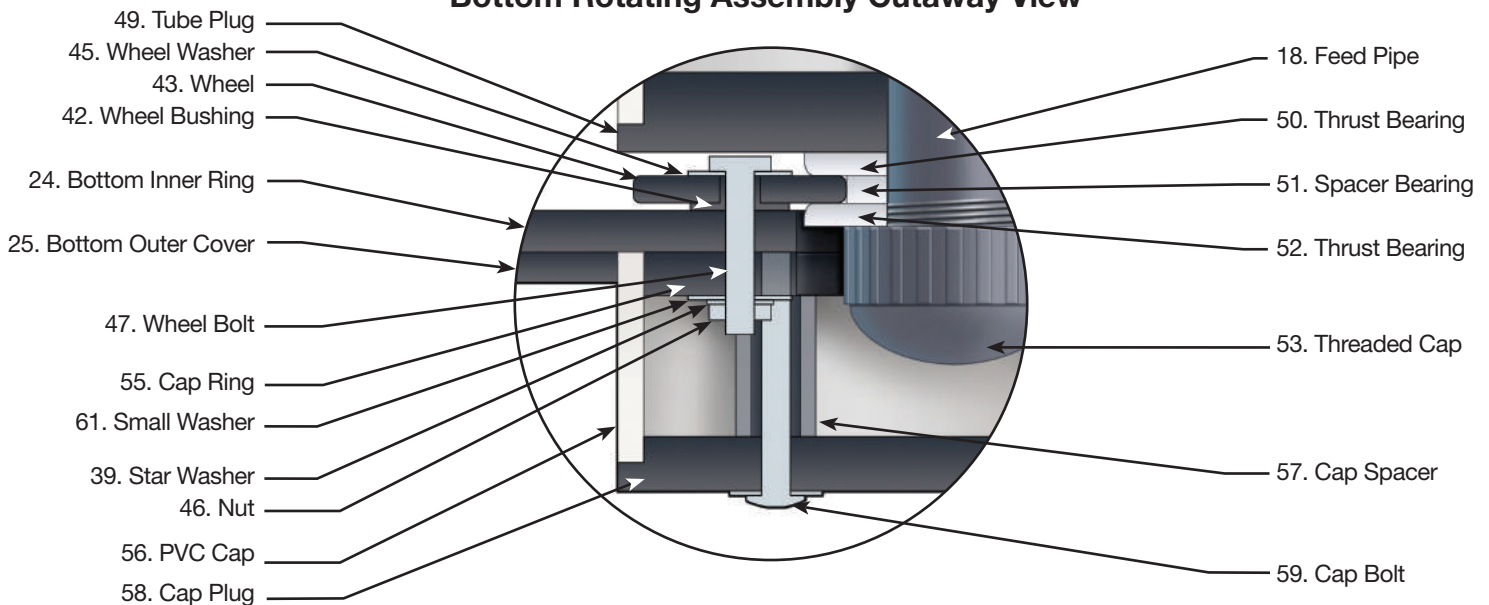


Figure 3
Bottom Rotating Assembly Cutaway View



Parts List

- | | | | |
|---------------------------|-------------------------|-----------------------|------------------|
| 1. Set Screw | 16. Uprights | 42. Wheel Bushing | 53. Threaded Cap |
| 2. Main Tube | 17. Rib | 43. Wheel | 55. Cap Ring |
| 3. Inner Feed Pipe Spacer | 18. Feed Pipe | 44. Nylon Locking Nut | 56. PVC Cap |
| 4. Feed Pipe Nipple | 19. Spray Nipple | 45. Wheel Washer | 57. Cap Spacer |
| 5. Outer Feed Pipe Spacer | 20. Spray Nozzle | 46. Nut | 58. Cap Plug |
| 6. Outer Feed Pipe Elbow | 24. Bottom Inner Ring | 47. Wheel Bolt | 59. Cap Bolt |
| 7. Inner Feed Pipe Elbow | 25. Bottom Outer Cover | 48. Wear Ring Screw | 60. Jam Nut |
| 11. Screen Bolt | 38. Fender Washer | 49. Tube Plug | 61. Small Washer |
| 12. Top Outer Cover | 39. Locking Star Washer | 50. Thrust Bearing | |
| 13. Top Inner Ring | 40. Wear Ring | 51. Spacer Bearing | |
| 15. Screen | 41. Poly Seal | 52. Thrust Bearing | |

Quality and Service Since 1932

Phone: 734-761-5110

SURE-FLO FITTINGS
2077 S. State St. P.O. Box 1363
Ann Arbor, Mi. USA 48106
www.sure-flo.com

Fax: 734-761-8659