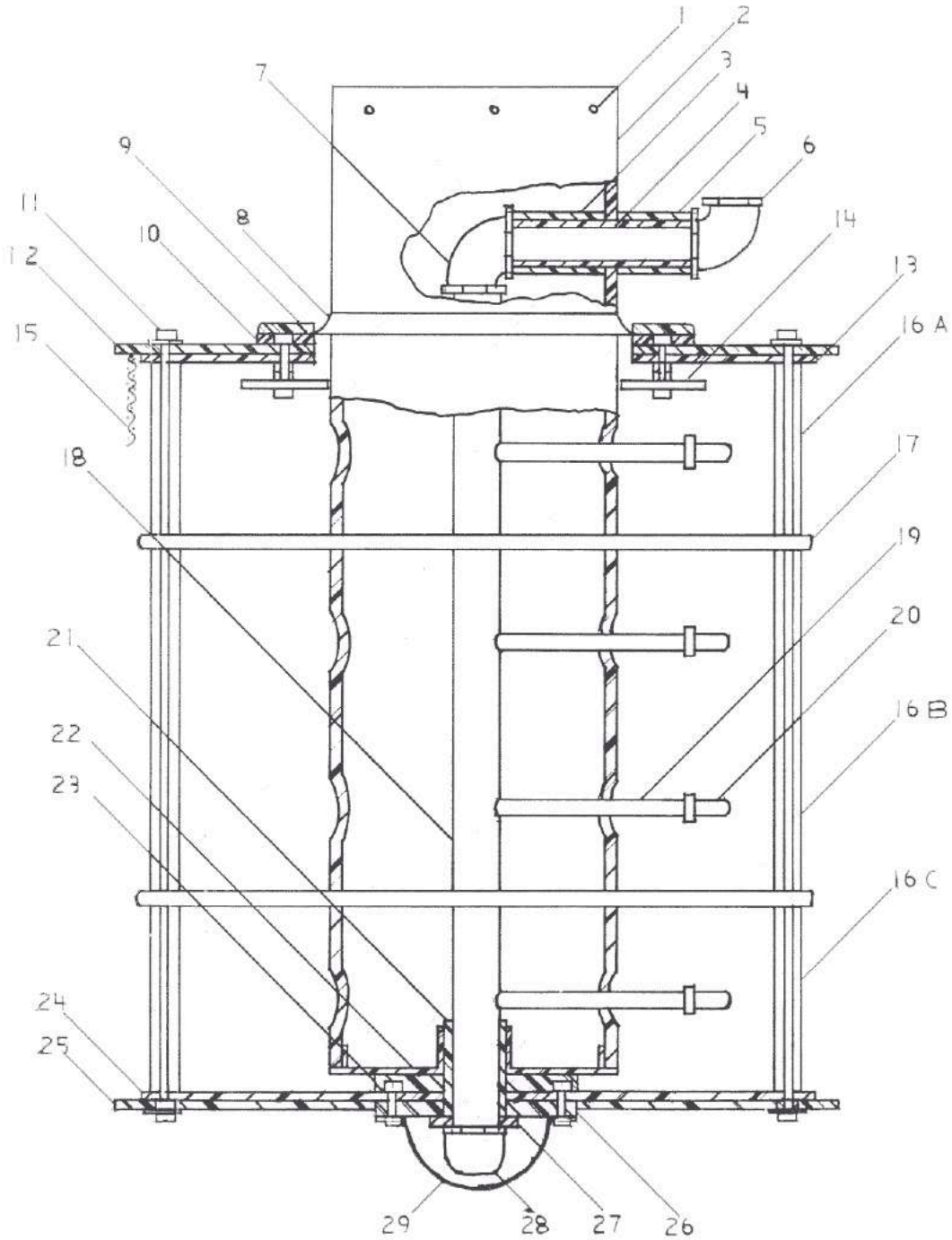


# SURE-FLO®

## Older Self-Cleaning Strainer Parts Breakdown (Phased out in the Fall of 1998)



# SURE-FLO®

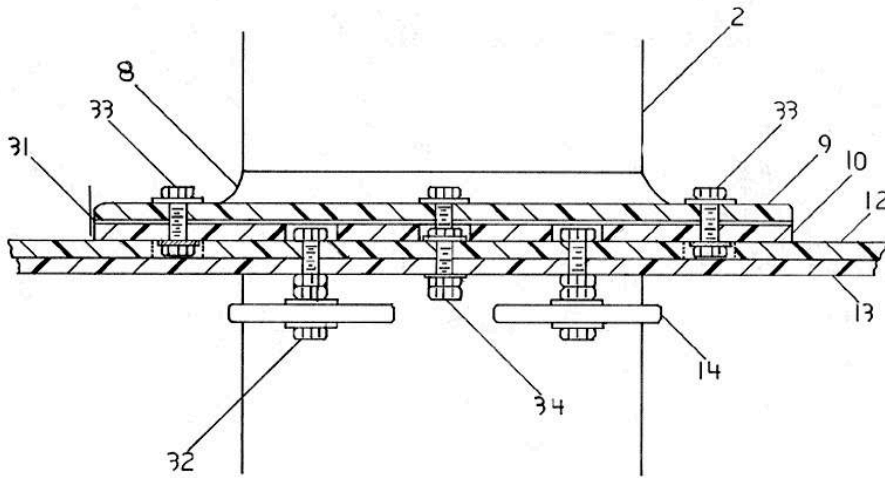
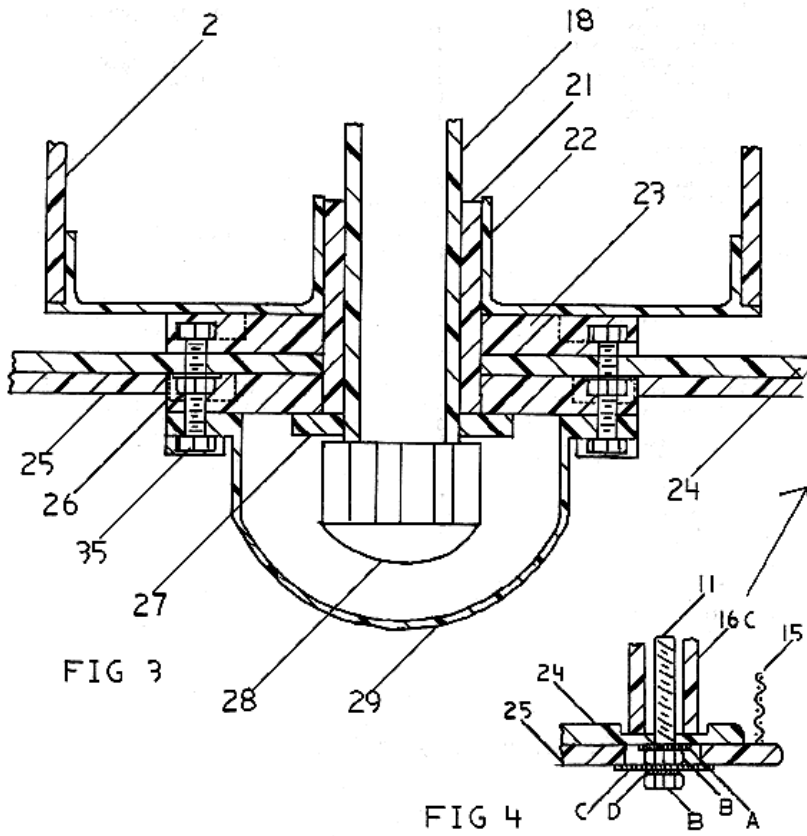


FIG 2



# SURE-FLO®

<u>Description</u>	<u>Material</u>	<u>Material Code</u>
1. 5/16 set screw	5	1. PVC
2. Main tube	1	2. High Density Polyethylene
3. Inner feed pipe spacer	1	
4. Feed pipe nipple	1	
5. Outer feed pipe spacer	1	
6. Outer feed pipe elbow	1	3. Ultra High Molecular Weight P.E.
7. Inner feed pipe elbow	1	
8. Teflon lip seal	6	
9. Upper seal ring	2	
10. Lower seal ring	2	4. Epoxy Coated Aluminum
11. Screen bolt	5	
12. Top outer cover	2	
13. Top inner ring	2	5. Stainless Steel
14. Wheel bearing	3	
15. Screen	4	
16. Uprights	1	6. Teflon
17. Rib	2	
18. Feed Pipe	1	
19. Spray nipple	1	
20. Spray nozzle	5	
21. Feed Pipe Bushing	3	
22. PVC Casting	4	
23. Inner bearing	3	
24. Bottom inner ring	2	
25. Bottom outer cover	2	
26. Outer bearing	3	
27. Rotating spacer	3	
28. Feed pipe cap	1	
29. Bottom casting	4	
30. Bottom casting spacer	2	
31. Seal Assembly	-	
32. Wheel Assembly	-	
33. Seal bolt	5	
34. Seal stud bolt	5	
35. Bearing stud bolt	5	
36. ½" standard washer	5	
37. ½" nut	5	
38. ½" fender washer	5	
39. ½" locking star washer	5	